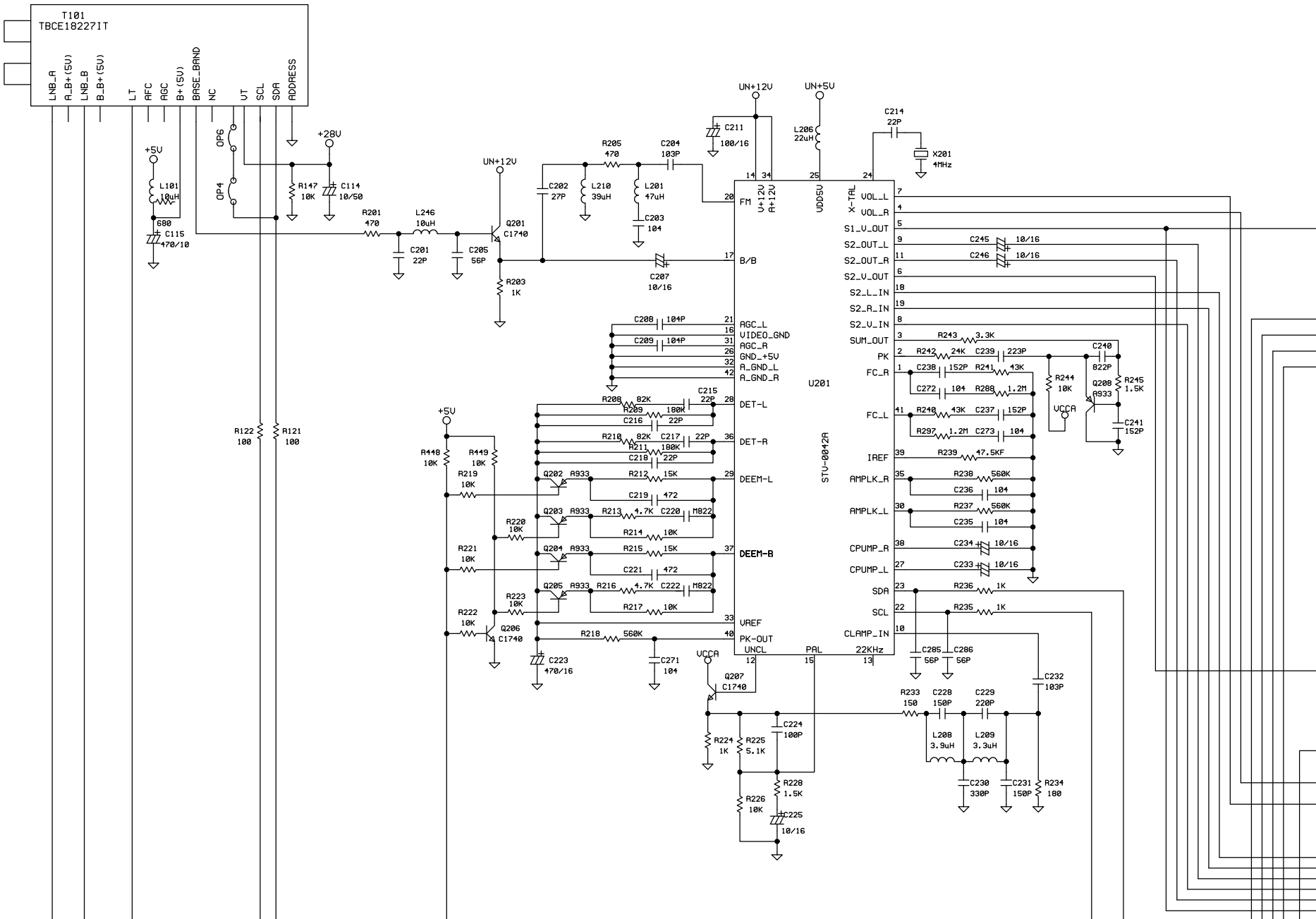
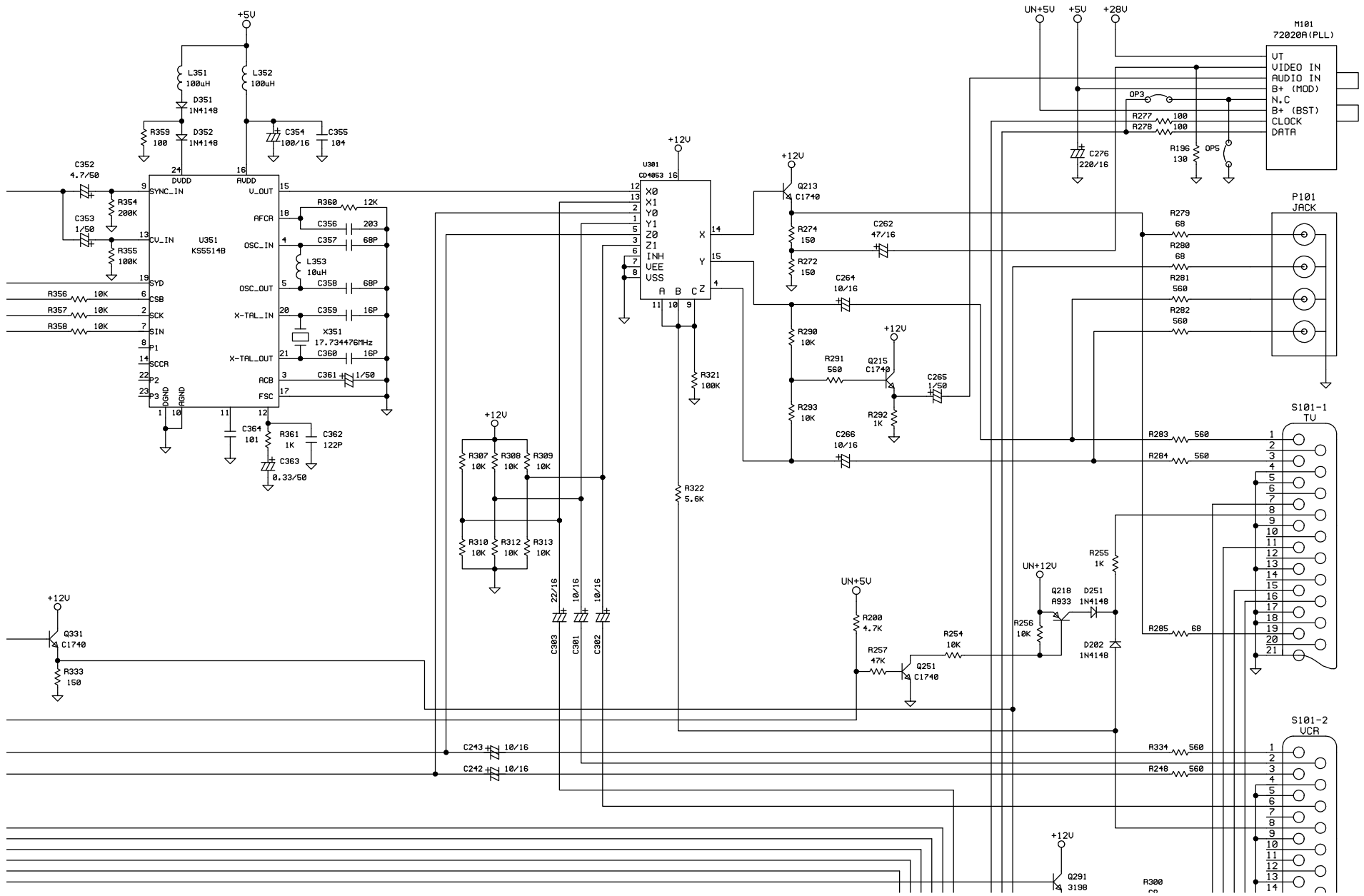
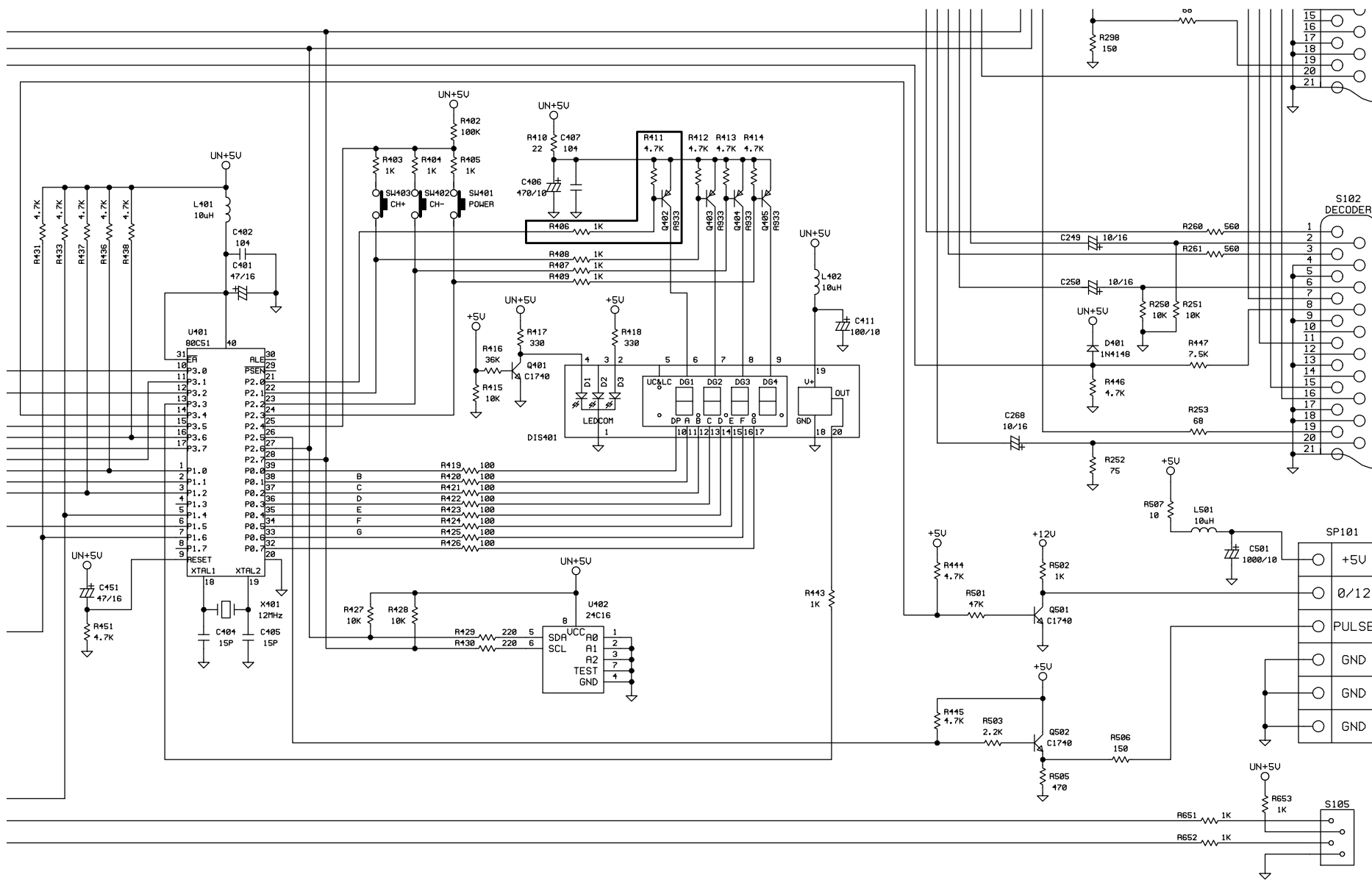


D
B
C
D
E



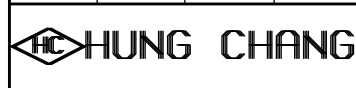




DRAWN	DESIGNED	CHECKED	APPROVED
A.O.R			
99-03-13	.	.	.

DO NOT SCALE
DRAWING
UNIT:

SHEET OF
SIZE **A2** REVISION A



TITLE
EX-700
SCHEMATIC DIAGRAM

DRAWING NUMBER
S350058-E001A